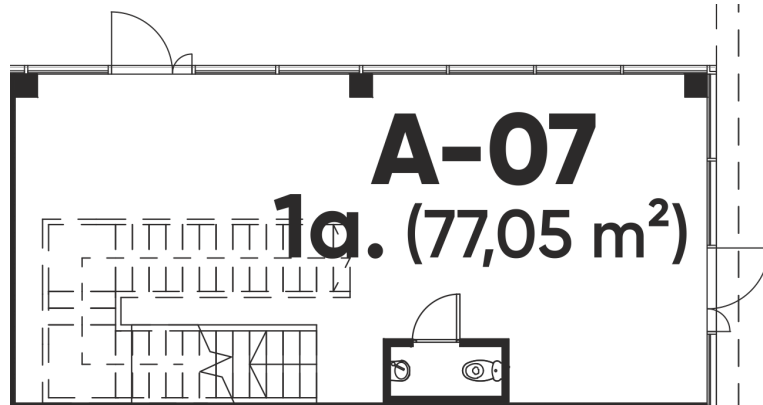


1 floor

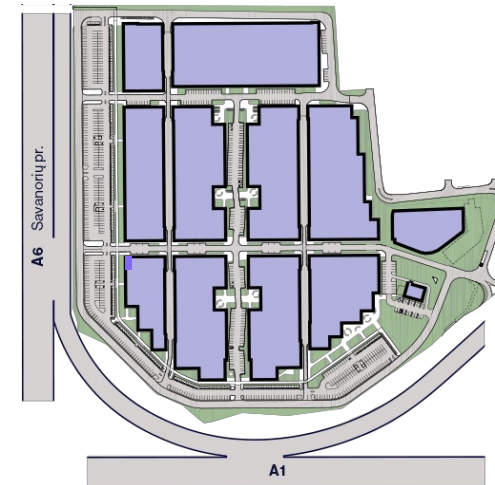
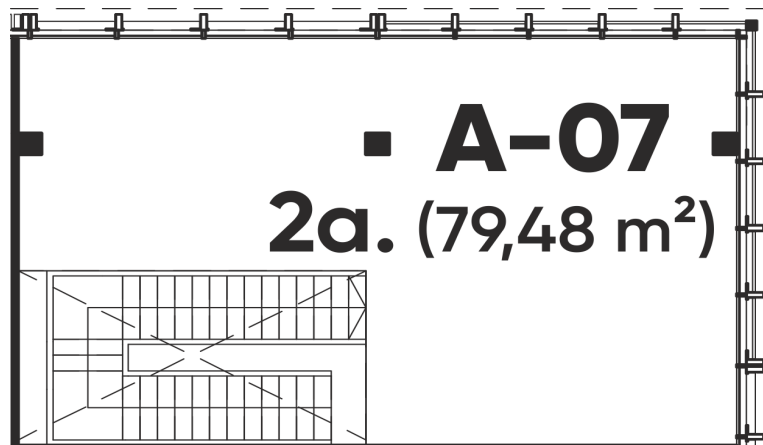


A-07 Rented



Total area	156,53 m ²
First floor area	77,05 m ²
Antresolės plotas	79,48 m ²

Entresol



The premises can be connected, and partitions can be installed according to your business needs.

Rokas Adžgauskas

+370 607 25 188

rokas.adzgauskas@urbanhub.lt

urbanhub.lt

Veterinarių g. 4, Kauno r.