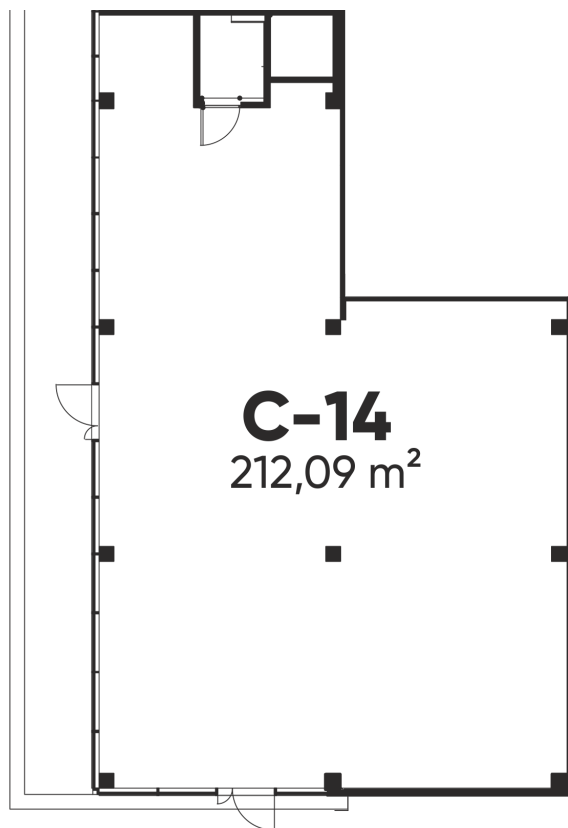
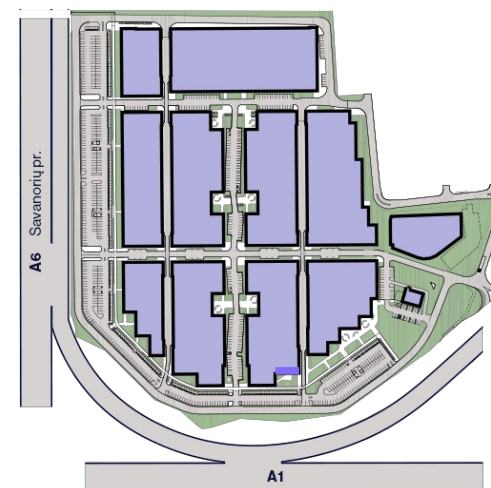


1 floor



## C-14 Available

**Total area**212,09 m<sup>2</sup>**First floor area**212,09 m<sup>2</sup>

The premises can be connected, and partitions can be installed according to your business needs.

**Rokas Adžgauskas**

+370 607 25 188

rokas.adzgauskas@urbanhub.lt

urbanhub.lt

Veterinarų g. 4, Kauno r.