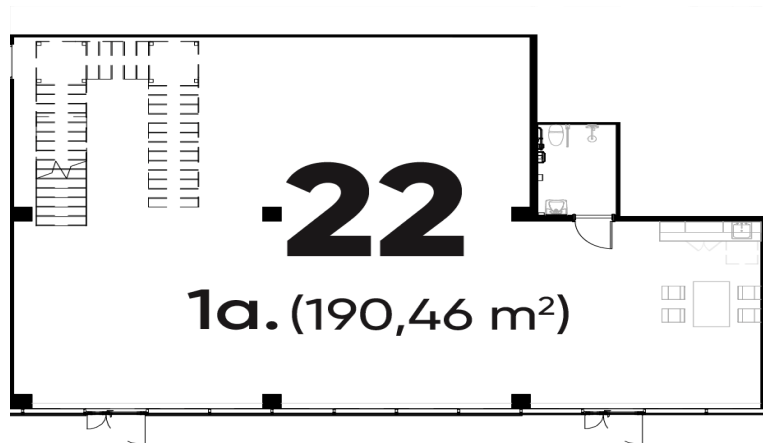


1 floor

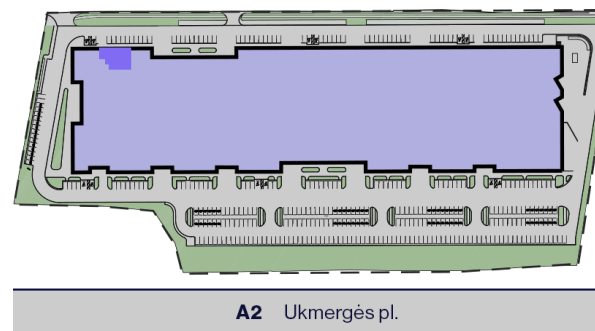
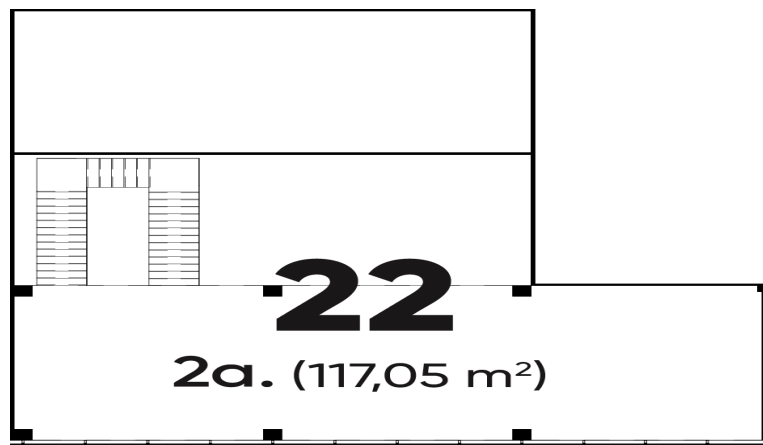


22 Rented



| | |
|--------------------------|-----------------------|
| Total area | 307,51m ² |
| First floor area | 190,46 m ² |
| Antresolės plotas | 117,05 m ² |

Entresol



The premises can be connected, and partitions can be installed according to your business needs.

Lina Zamalytė-Krikščiūnienė

lina.kriksciuniene@urbanhub.lt

urbanhub.lt

Ožiarūčių g. 3, Vilnius