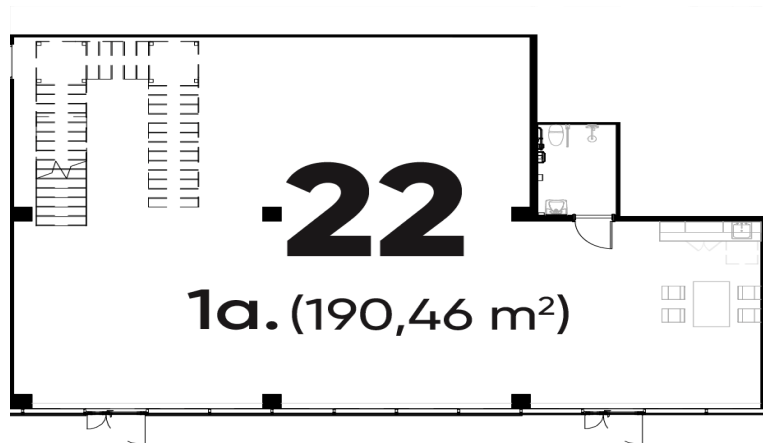
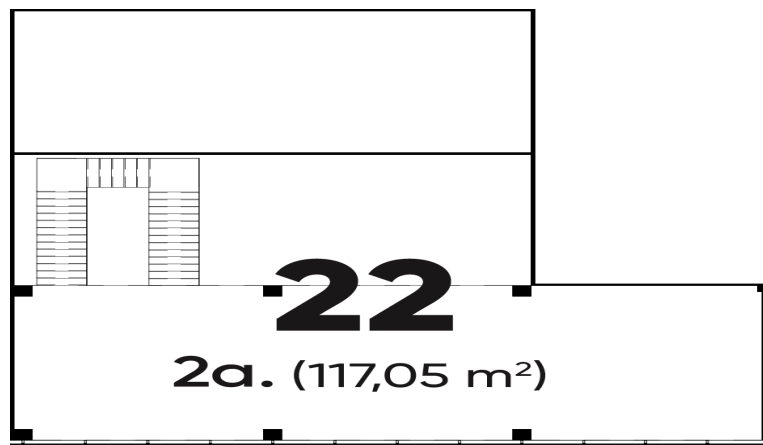


1 floor



Entresol



22 Reserved

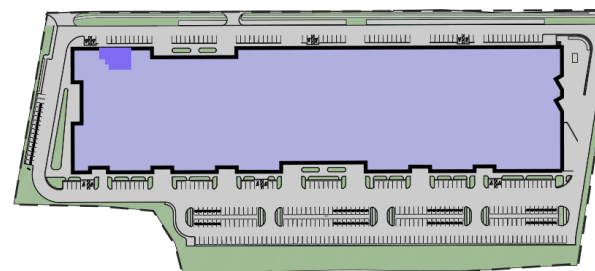


Total area

307,51m²

First floor area

190,46 m²



A2 Ukmergės pl.



The premises can be connected, and partitions can be installed according to your business needs.

Lina Zamalytė-Krikščiūnienė

+370 620 55 851

lina.kriksciuniene@urbanhub.lt

urbanhub.lt

Ožiarūčių g. 3, Vilnius